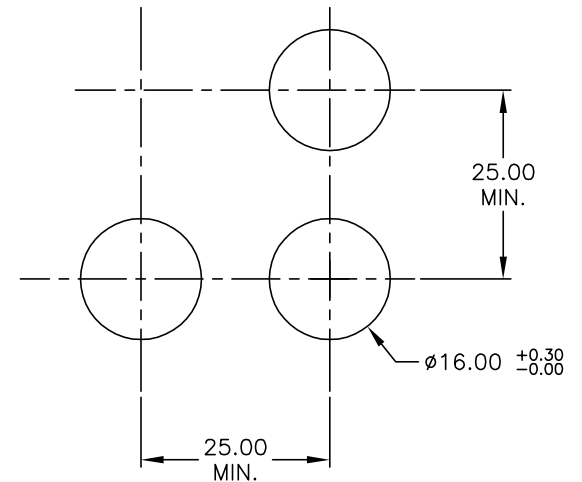
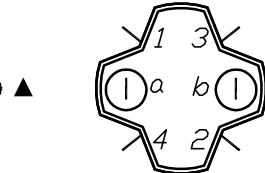
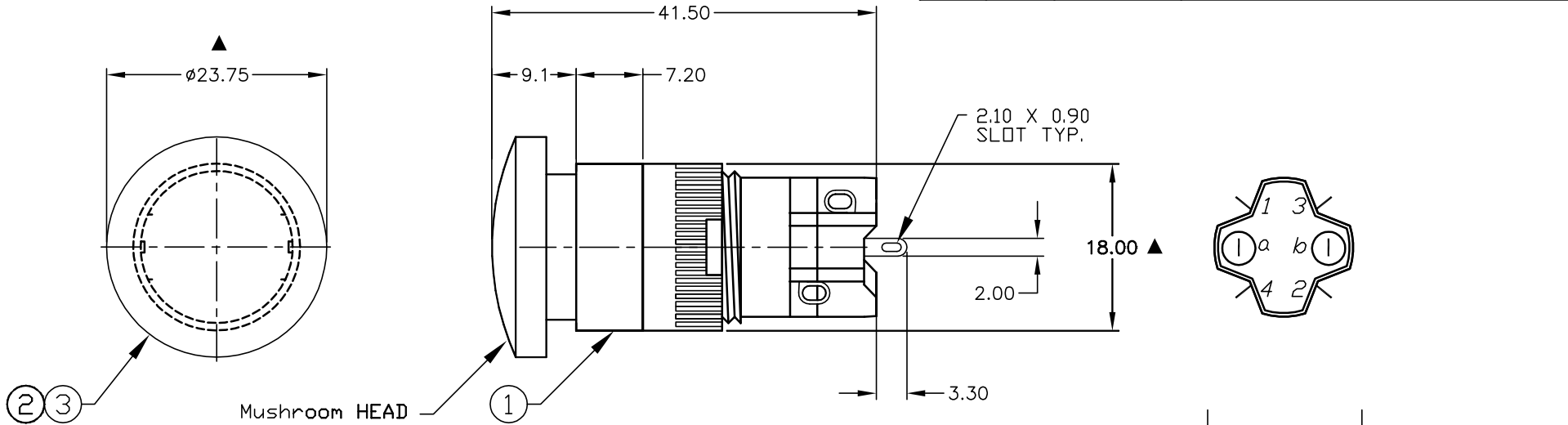


PARTS LIST			
ITEM	QTY.	PART NO.	PART DESCRIPTION
1	1	F040006	D16 EE R1 1
2	1	F050419	50-004-19 (GREEN LED BULB)
3	1	F051211	50-012-31 (TRANSPARENT GREEN LENS)



1 a | o 2
 3 o | o 4
 a-(L)-b (+)

SPST
 CONTACT CONFIGURATION

RECOMMENDED PANEL MOUNTING

SCALE 1:1

NOTES:

1. ALL DIMENSIONS IN MM
2. GENERAL TOLERANCE: X.X=±0.4
X.XX=±0.25
3. RATINGS: 5A @250V AC
8A @125V AC
UL, VDE, CSA, Semko, Nemko, Demko, Fimko Approved
- ▲ 5. LAMP VOLTAGE: 12VDC (LED BULB)
6. CONTACT MATERIAL:
COPPER ALLOY W/Silver Plating
- ▲ 7. PUSHBUTTON: TRANSPARENT GREEN
8. ▲ DENOTES CRITICAL PARAMETER.

E-SWITCH®

TITLE				
D16EER1JGRNGRN				
SCALE	DATE	DR	DWG	REV
1.5:1	6/3/04	AR	XF0591P	A

THE INFORMATION CONTAINED IN THIS DOCUMENT IS PROPRIETARY TO E-SWITCH AND IS NOT TO BE COPIED OR TRANSFERRED

A	14062	RELEASED FOR PRODUCTION	6/3/04	AR
REV.	ECN No.	DESCRIPTION	DATE	CHKD